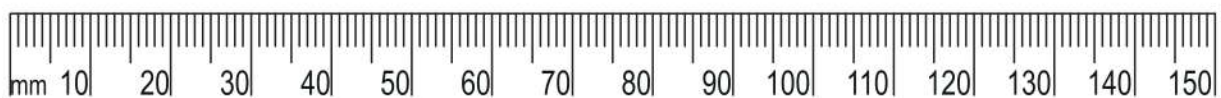
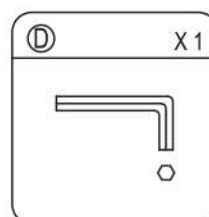
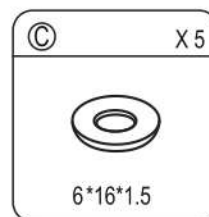
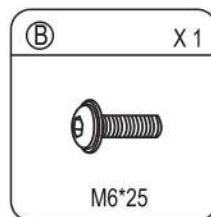
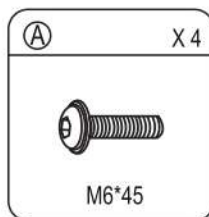
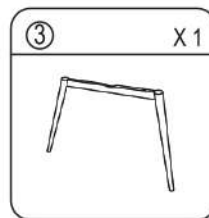
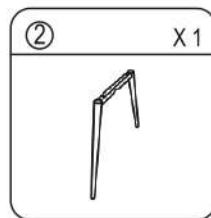
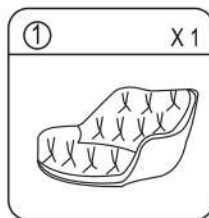
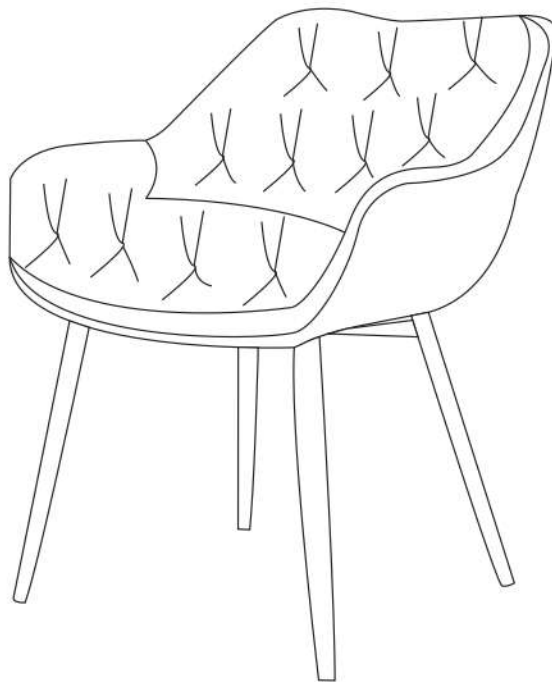
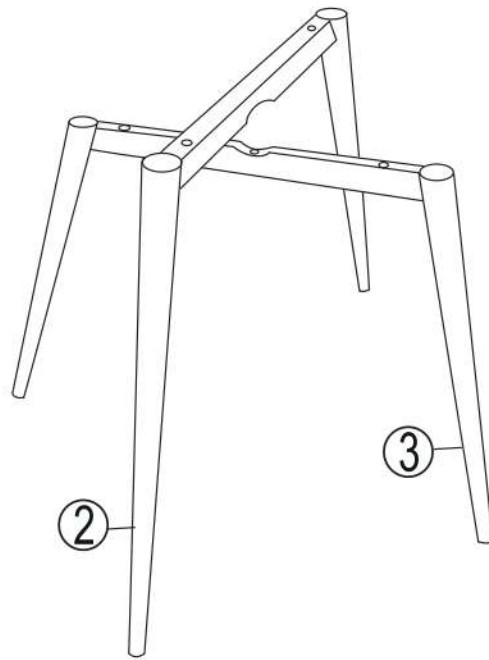


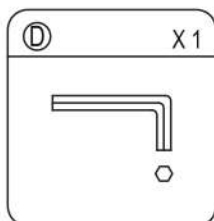
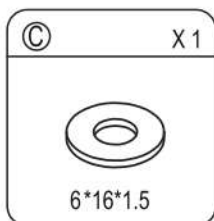
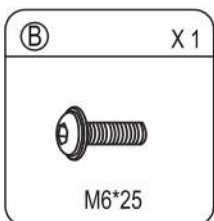
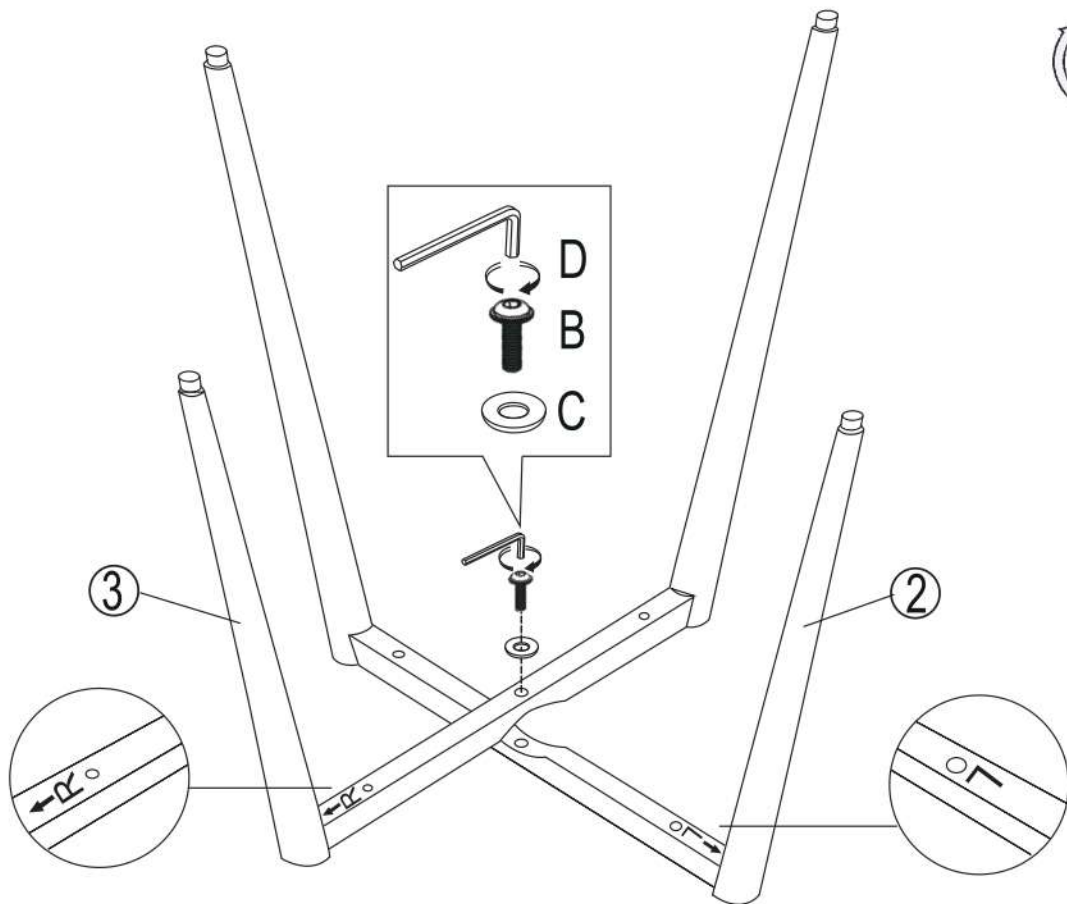
FEDRIS NEW



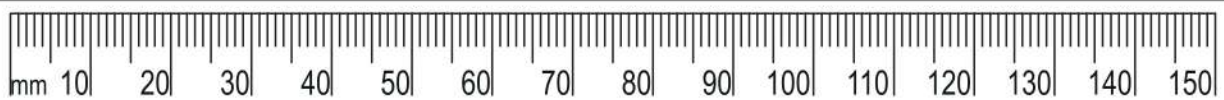
1



2

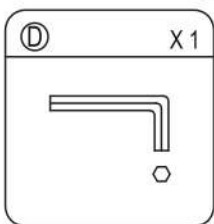
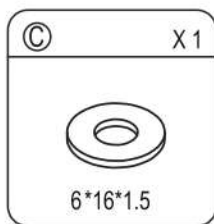
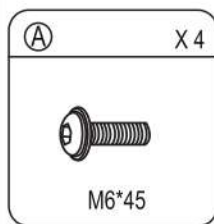
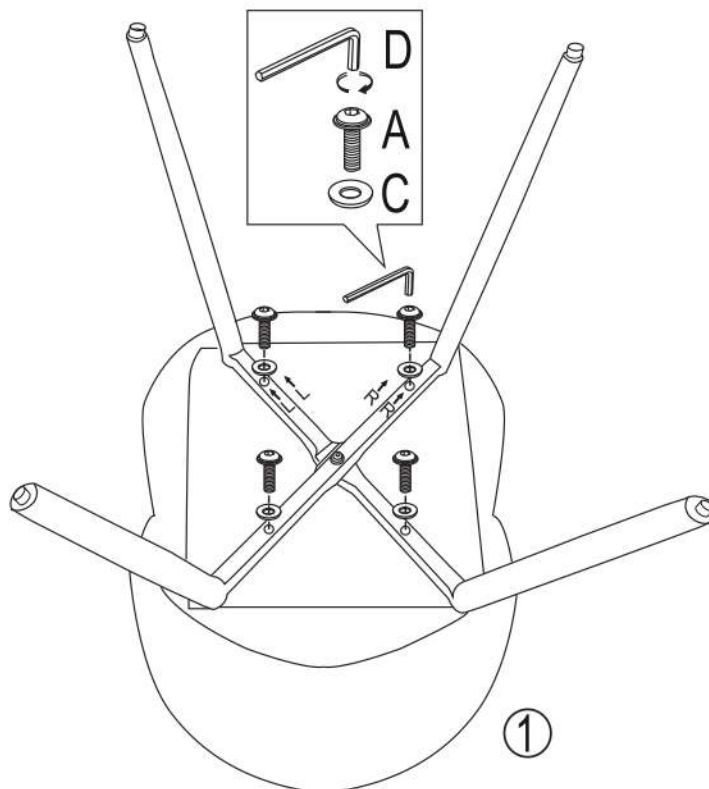


2-3

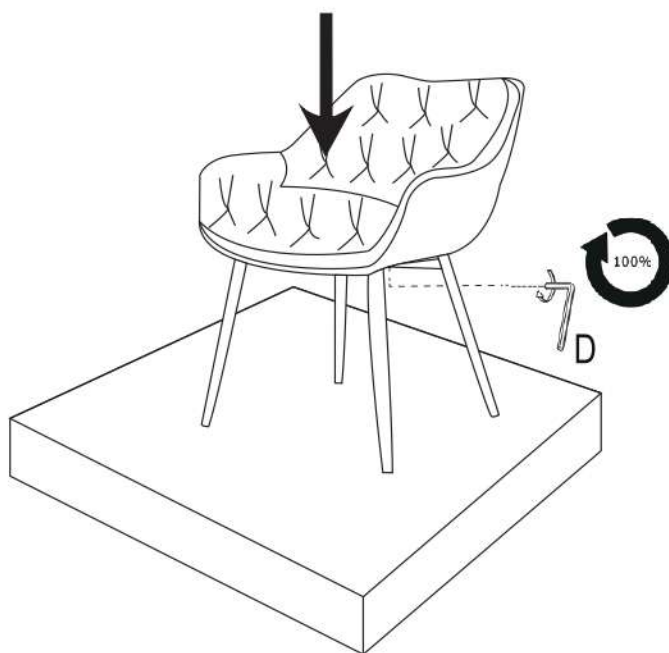


3

75%



4



3-3

